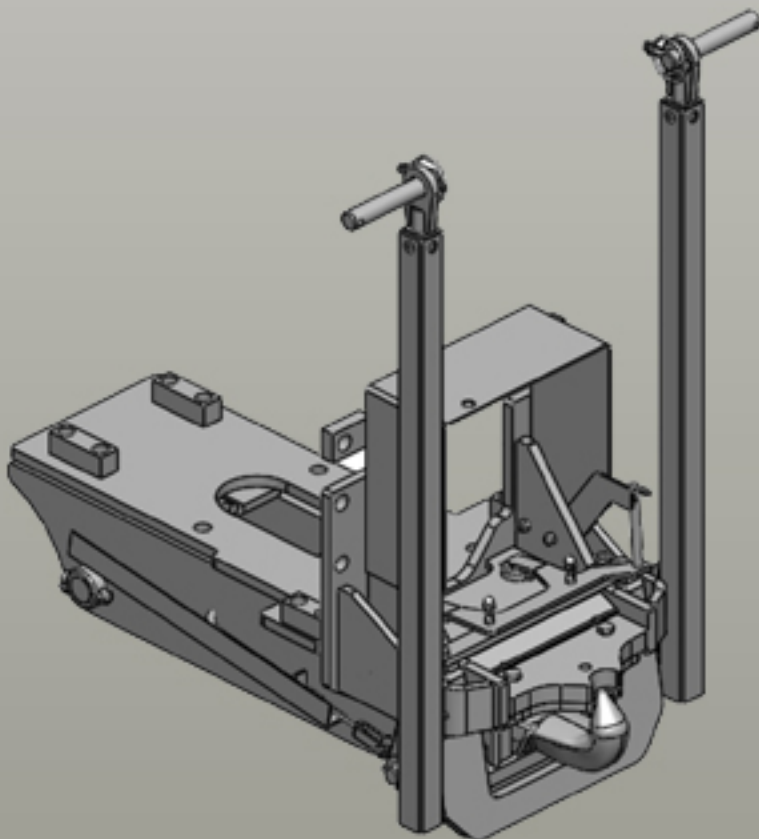




Pick-Up Hitches | Inserts K80® McCormick



Pick-Up Hitches | Inserts K80®

	<p>Art.Nr. 00.421.12.2-A20 Pick-Up Hitches Inserts K80® K80® Ball Coupling System </p> <p>Alternative color </p> <p>00.421.12.2-A20 (Pöttinger-Red)</p> <p>Technical Values*</p> <p>Working Length (mm): 355 Lenght (mm): 445 Max. Permissible D-Value (kN): 74 Max. Permissible Vertical Load (kg): 1500 Drilled Hole Ø (mm): 25 Shaft Height x Width: 60x60 Pick-Up Hitch Producer: fits with CBM</p> <p>Adapted for Tractor</p> <p>Case IH: Magnum 7100/7200: 7110, 7120, 7130, 7140, 7150, 7210, 7220, 7230, 7240, 7250; Magnum MX: 180, 200, 220, 240, 270; Magnum MX (II): 210, 230, 255, 285, 305; Maxxum MX: 100, 110, 120, 135, 150, 170; Deutz-Fahr: Agrotrom 80-180.7: 106, 108, 110, 115, 118, 120, 128, 130, 135, 150, 150.7, 165.7, 180.7; Agrotrom TTV: 1130, 1145, 1160, 610, 620; McCormick: MTX: 110, 120, 125, 135, 140, 145, 150, 155; Same: Silver: 105, 110, 130, 95; Zetor: Forterra: 105, 10641, 11441, 115, 11741, 12441, 125, 8621, 8641, 95, 9621, 9641; Proxima: 6421, 6441, 7421, 7441, 8421, 8441;</p>
	<p>Art.Nr. 00.426.12.1-A20 Pick-Up Hitches Inserts K80® K80® Ball Coupling System </p> <p>Alternative color </p> <p>00.426.12.1-A20 (Pöttinger-Red)</p> <p>Technical Values*</p> <p>Working Length (mm): 355 Lenght (mm): 445 Max. Permissible D-Value (kN): 89,3 Max. Permissible Vertical Load (kg): 2000 Drilled Hole Ø (mm): 30,5 Shaft Height x Width: 70x70 Pick-Up Hitch Producer: fits with CBM</p> <p>Adapted for Tractor</p> <p>Case IH: Magnum MX: 180, 200, 220, 240, 270; Magnum MX (II): 210, 230, 255, 285, 305; Fendt: Vario 700/800: 711, 712, 714, 716, 718, 815, 816, 817, 818, 820; Vario 900: 916, 920, 922, 924, 926, 927, 930, 933, 936; McCormick: TTX: 190, 210, 230; XTX: 185, 200, 215;</p>
	<p>Art.Nr. 00.429.00.2-A20 Pick-Up Hitches Inserts K80® K80® Ball Coupling System </p> <p>Alternative color </p> <p>00.429.00.2-A20 (Pöttinger-Red)</p> <p>Technical Values*</p> <p>Working Length (mm): 360 Lenght (mm): 445 Max. Permissible D-Value (kN): 89,3 Max. Permissible Vertical Load (kg): 2000 Drilled Hole Ø (mm): 30,5 Shaft Height x Width: 70x80 Pick-Up Hitch Producer: fits with Dromone</p> <p>Adapted for Tractor</p> <p>Claas: Axion 800 (A30/A31), Axion 800 (A40/A41), Axion 800 (A60/A61), Axion 900 (A23), Axion 900 (A44) Fendt: Vario 700/800, Vario 900 John Deere: 8030, 8R (Tier 3A), 8R (Tier 3B) Massey Ferguson: 6400 Dyna-4 (Tier 2), 6400 Dyna-6 (Tier 3), 7465-7499, 7600 Dyna-6, 7600 Dyna-VT, 8200, 8400, 8600, 8700 Dyna-VT McCormick: MTX Valtra: N4-Serie, S2-Serie, S3-Serie, S4-Serie, T4-Serie</p>